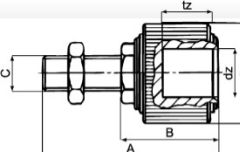
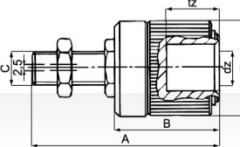
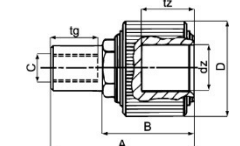
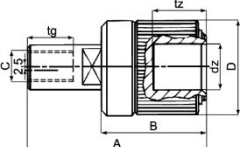


Size group 2 M16 – 24

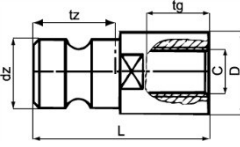
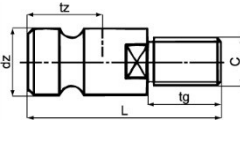
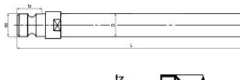
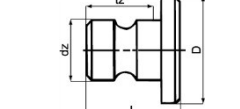
outer close

Execution	Dimension	Order.-No.	C	tg	A	B	D	dz	tz
WAK rigid thread		WAK-II-16	M16	110	58		ø60	ø32	34
		WAK-II-20	M20	110	58		ø60	ø32	34
		WAK-II-24	M24	110	58		ø60	ø32	34
WAKA axial balance of the thread		WAKA-II-16	M16	130	70		ø60	ø32	34
		WAKA-II-20	M20	130	70		ø60	ø32	34
		WAKA-II-24	M24	130	70		ø60	ø32	34

internal thread

Execution	Dimension	Order.-No.	C	tg	A	B	D	dz	tz
WAKJ rigid thread		WAKJ-II-16	M1630	90	60		ø60	ø32	34
		WAKJ-II-20	M2030	90	60		ø60	ø32	34
		WAKJ-II-24	M2430	90	60		ø60	ø32	34
WAKJA axial balance of the thread		WAKJA-II-16	M1630	120	70		ø60	ø32	34
		WAKJA-II-20	M2030	120	70		ø60	ø32	34
		WAKJA-II-24	M2430	120	70		ø60	ø32	34

ejector-tap

Execution	Dimension	Order.-No.	C	L	D	tg	dz	tz
ASZ with internal thread		ASZ-II-16	M16	70	ø38	30	ø32	34
		ASZ-II-20	M20	70	ø38	30	ø32	34
		ASZ-II-24	M24	70	ø38	30	ø32	34
ASZA with external thread		ASZA-II-16	M16	74	X	30	ø32	34
		ASZA-II-20	M20	74	X	30	ø32	34
		ASZA-II-24	M24	74	X	30	ø32	34
AST knockout bars		AST-24/150	X	150	ø24	X	ø32	34
		AST-24/260	X	260	ø24	X	ø32	34
		AST-25/320	X	320	ø24	X	ø32	34
ASBZ blind-tap		ASBZ-II	X	45	ø48	X	ø32	34

Special threads and other versions on request